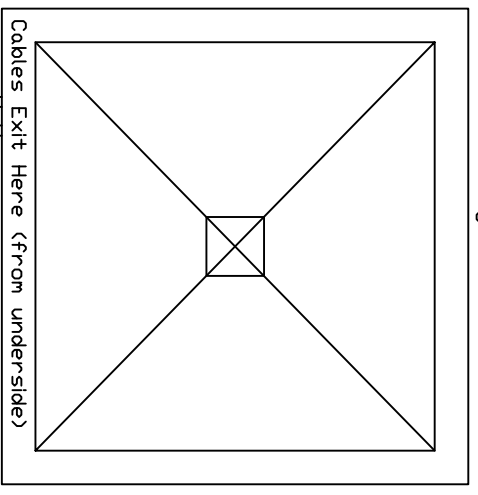
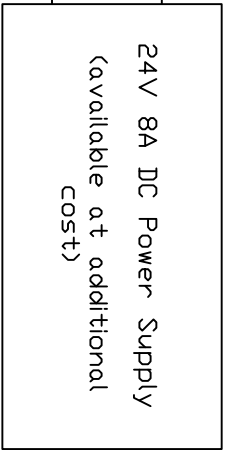
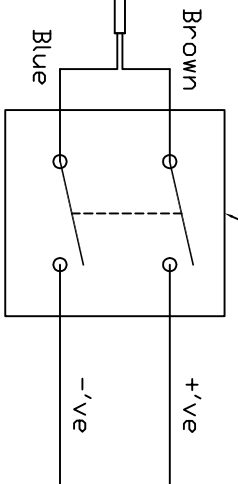


# STANDARD DRAWING

2 - Core Flying Lead  
 (2m supplied as standard.  
 To be extended as required  
 by site electrician)



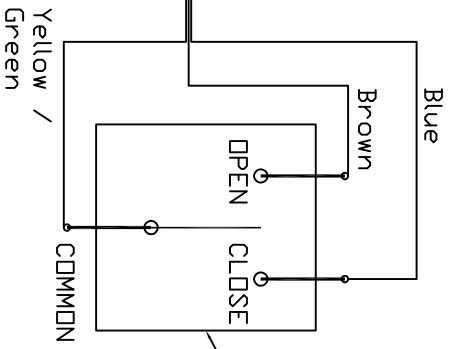
DPST Switch for Isolation  
 and Reset



240V Power Source\*

\*It is recommended to have another DPST switch before the Transformer.

3 - Core Flying Lead  
 (2m supplied as standard.  
 To be extended as required  
 by site electrician)



SPDT switch Sprung to centre off. (e.g. M.K. Gridswitch Ref K4900)



Pyramid House, 52, Guilford Road,  
 Lightwater, Surrey, GU18 5SD  
 Tel: +44 (0)1276 450609  
 Fax: +44 (0)1276 451533  
 Email: info@nationaldomes.com  
 Website: www.nationaldomeightcompany.co.uk

Third angle projection unless otherwise noted.  
 Tolerances:  
 Whole numbers = ±1mm  
 One decimal place = ±0.5mm  
 Two decimal places = ±0.2mm  
 Angular = ±1 degree  
 IF IN DOUBT ----- ASKI  
 DO NOT SCALE.

Checked by:  
 Date:

Quantity: N/A  
 Description: Concealed Hinged Glass Pyramid Wiring Layout  
 Product: Glass Pyramid  
 Product Ref: 404

Finish: N/A  
 Materials: As per Diagram  
 Drawn by: JKB  
 Date: 29/09/04  
 Drawing No: S0008