

Uniclass L414	EPIC D15
Cl/SfB I (37.4) X I	

Thermalight

GLASS ROOFLIGHT RANGE

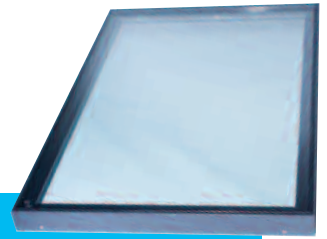
GLASS ROOFLIGHT RANGE



When searching for the ideal rooflight, the solution should bring style, clean lines, good light transmission and minimal visual intrusion to both the interior and exterior of the building.

The Thermalight glass rooflight range is based on an innovative design to achieve maximum daylight, longevity and high performance. The low profile system utilises triple sealed, structurally bonded glass making it ideal for flat roof low pitch applications. The Thermalight range provides a long term and high quality daylight solution with architectural style and clean looks. Internally the system has minimal visible framework and overall has excellent thermal performance. Requiring only minimal maintenance and being easy to clean, Thermalight offers guaranteed long-life clarity and is available in fixed, hinged or pyramid styles with a variety of glass options to suit your requirements.

FIXED THERMALIGHT



Standard Range

The Thermalight Flat Fixed Rooflights

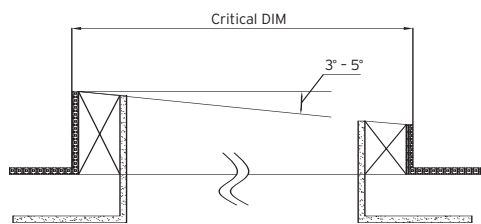
The Thermalight concept is based on an innovative design that delivers maximum daylight due to no internally visible framework. This low profile, high performance system is not prone to the 'water ponding' effect that rival products are prone to, due to its intelligent use of flush external metalwork.

Thermalight units are suitable for both flat or sloped applications, they are available in many shapes and sizes and even come in walk on variant.

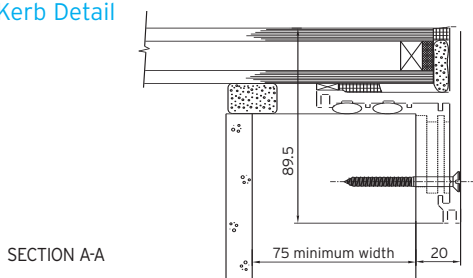
The Thermalight system is supplied with a complete fixing kit which includes concise fitting instructions for installation by construction tradesman or DIY enthusiasts.



Critical Kerb Dimension



Kerb Detail



Key Features

- LOW PROFILE
- SIMPLE INSTALLATION
- NO INTERNALLY VISIBLE FRAMEWORK
- BESPOKE SIZES TO ORDER
- SAFETY GLASS TO BOTH PANELS
- HIGH THERMAL PERFORMANCE
- LARGE SPANS AVAILABLE
- EASY CLEAN AND LOW MAINTENANCE
- WALK ON SPECIFICATION
- LOW E COATING

OPTIONS

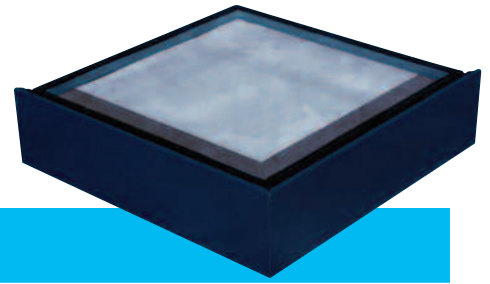
- FLAT OR PITCHED
- WALK ON SPECIFICATION
- RIDGE ROOFLIGHT
- CIRCULAR

Technical Data

All sizes quoted are overall external weathered upstand sizes

RECOMMENDED MINIMUM KERB HEIGHT	150 mm (to avoid invalidating roof guarantees).
MINIMUM KERB THICKNESS	75 mm.
RECOMMENDED PITCH ON KERB	5 degrees.
MINIMUM GLASS SIZE	400 mm x 400 mm (smaller can be made but its no longer a means of obtaining effective daylight).
STANDARD GLASS	28 mm DGU; 6 mm toughened outer, 16 mm black silicone sealed spacer, 6 mm Low E coated toughened inner pane.
MAXIMUM SINGLE PANE GLASS KERB SIZE	3,500 mm x 1,500 mm span @ up to 5° kerb pitch. 3,500 mm x 1,700 mm span @ 10° and over kerb pitch.
STANDARD SIZES (outside kerb sizes)	1,000 mm x 1,000 mm / 1,000 mm x 1,500 mm / 1,000 mm x 2,000 mm.

FIXED THERMALIGHT



Walk-On Range

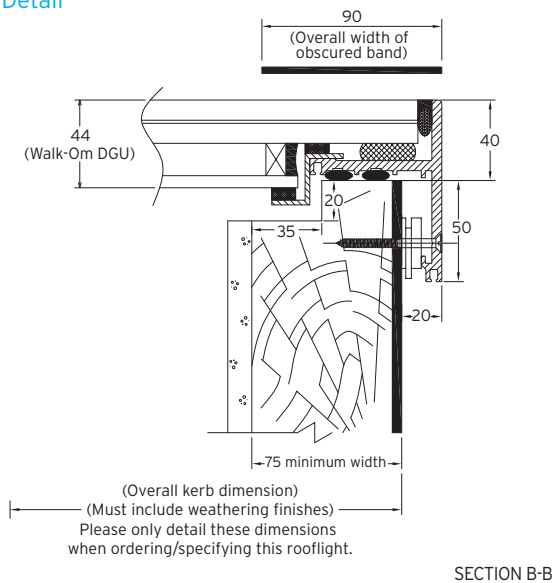
The Thermalight Walk-On Fixed Rooflights

The Walk-on Thermalight rooflight is ideal for roof terraces where obtaining light below is required. Using aluminium profile and silicone sealed edges; a complete flush finish is obtained. Sandblasting or acid etching can be added to create an obscure finish.

For a stylish and cost effective solution on long runs of roof ribbon style glazing.



Kerb Detail



Key Features

- LOW PROFILE
- SIMPLE INSTALLATION
- NO INTERNALLY VISIBLE FRAMEWORK
- BESPOKE SIZES TO ORDER
- SAFETY GLASS TO BOTH PANELS
- HIGH THERMAL PERFORMANCE
- EASY CLEAN AND LOW MAINTENANCE
- WALK ON SPECIFICATION
- LOW E COATING

Technical Data

All sizes quoted are overall external weathered upstand sizes

RECOMMENDED MINIMUM KERB HEIGHT	150 mm (to avoid invalidating roof guarantees).
MINIMUM KERB THICKNESS	75 mm.
RECOMMENDED PITCH ON KERB	0 degrees.
MINIMUM GLASS SIZE	400 mm x 400 mm (smaller can be made but its no longer a means of obtaining effective daylight).
STANDARD GLASS	43.5 mm DGU; 21.5 mm outer pane (heat soaked laminated/ toughened, 10 x 1.5 x 10), 16 mm black spacer, 6mm Low E coated inner pane.
MAXIMUM SINGLE PANE GLASS KERB SIZE	1200 mm span x 2500 mm (as a rule 3 m ² is possible as a maximum – e.g. 1650 mm x 1850 mm would be possible as a limit, however lengths of more than 3,500 mm may not be possible).

HINGED THERMALIGHT

Manual Access Hatch

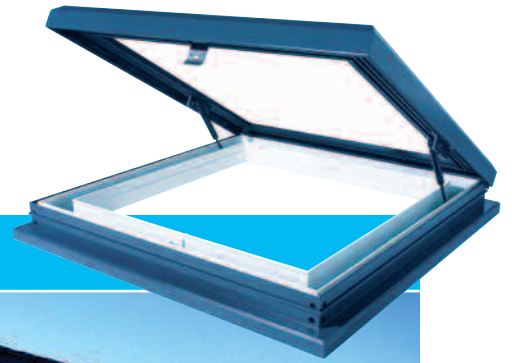
The Thermalight Manual Access Hatch

The Manual Access Hatch product is a high performance thermally broken hinged skylight. The product has been designed with the option of incorporating a double glazed unit or a powder coated insulated panel. Gas struts make operation simple and efficient and assist in keeping the rooflight stable once open.

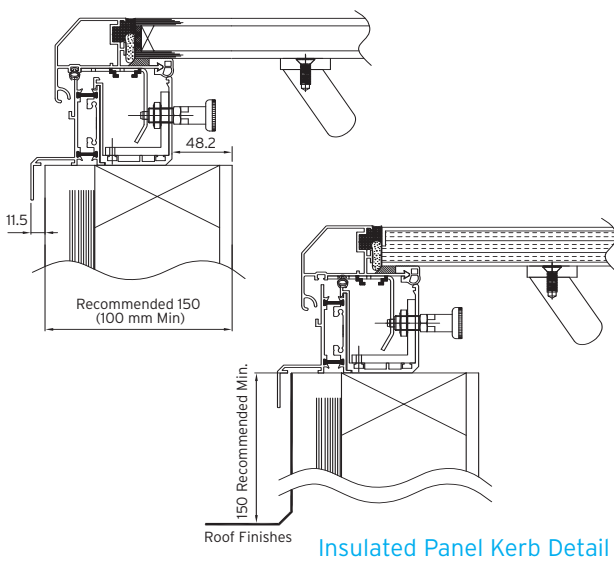
The unique feature of the Manual Access Hatch skylight include flush glazing and high security. Dual coloured as standard RAL 9010 Matt white / RAL 7015 Matt Grey, to match both inside and external finishes.

The Manual Access Hatch is ideal for maintenance access, opening to approximately 85°. It has simple opening by latch release and a push of the handle.

The Manual Access Hatch comes in several standard sizes which are available with a double glazed unit or insulated panel.



Double Glazed Kerb Detail



Key Features

- SIMPLE SINGLE LATCH OPERATION
- FULLY OPENABLE TO APPROXIMATELY 85 DEGREES
- GAS STRUTS MAKE STABLE ONCE IN OPEN POSITION
- FLUSH GLAZING OR INSULATED PANEL
- NO POWER REQUIRED

OPTIONS

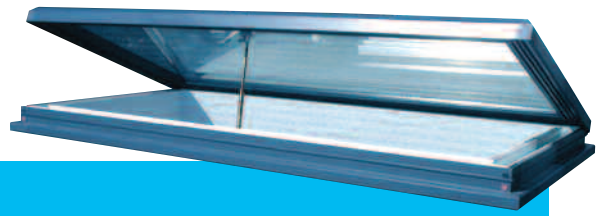
- DOUBLED GLAZED UNIT
- INSULATED ALUMINIUM PANEL
- ACCESS UNIT

Technical Data

All sizes quoted are overall external weathered upstand sizes

RECOMMENDED MINIMUM KERB HEIGHT	150 mm (to avoid invalidating roof guarantees).
MINIMUM KERB THICKNESS	100 mm.
RECOMMENDED PITCH ON KERB	5 degrees.
MINIMUM UNIT SIZE (Outside kerb sizes)	900 mm x 900 mm.
STANDARD GLASS	32 mm DGU; 6 mm toughened outer, 20 mm black silicone sealed spacer, 6 mm Low E coated toughened inner pane.
OPENING METHOD	Hand open by grab handle, gas strut assisted to approx 85°.
STANDARD SIZES (Outside kerb sizes)	900 x 900 mm, 900 x 1200 mm - hinged side, 1200 x 1200 mm and 1200 x 1500 mm - hinged side.

HINGED THERMALIGHT



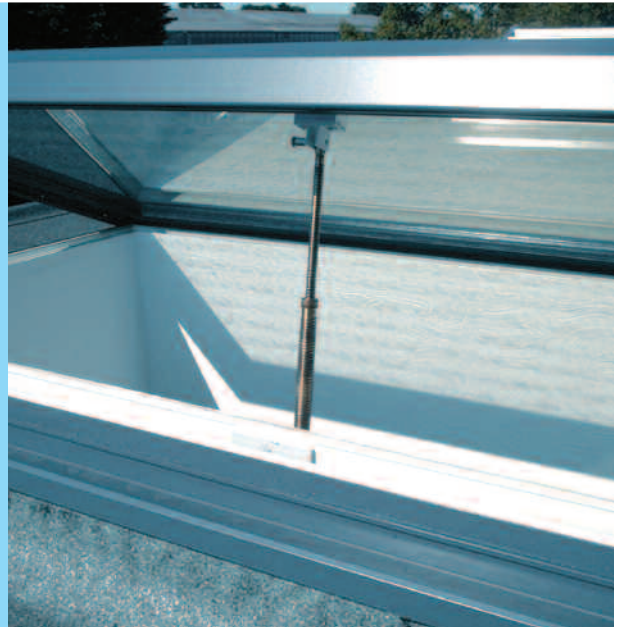
Manual (*Ventilation Only*)

The Thermalight Hinged Glass Rooflights

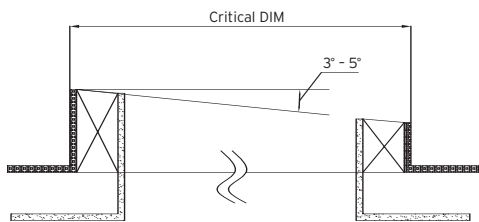
The Thermalight hinged rooflight is a high performance thermally broken hinged vent, designed for flat roof, stand alone applications.

The product has been designed with minimum framework offering maximum daylight.

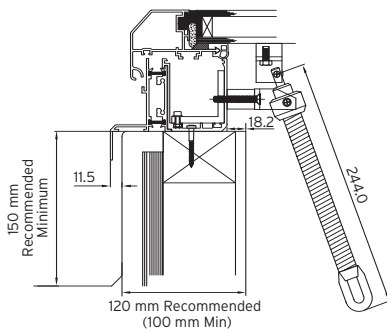
The unique features of the Thermalight product range include flush glazing, high security and large size capability. All products are dual coloured as standard so as to match both internal and external finishes.



Critical Kerb Dimension



Kerb Detail



Key Features

- BESPOKE SIZES ARE AVAILABLE
- THERMALLY BROKEN CONSTRUCTION
- RIGID TWO POINT OPENING
- MINIMUM FRAMEWORK... MAXIMUM DAYLIGHT
- DUAL COLOUR CAPABILITIES AS STANDARD

OPTIONS

- 90° OPENING (access variant)
- 30° OPENING (vent only)
- MANUAL 30° VERSION (screw jack)
- MANUAL ACCESS HATCH (85° opening)

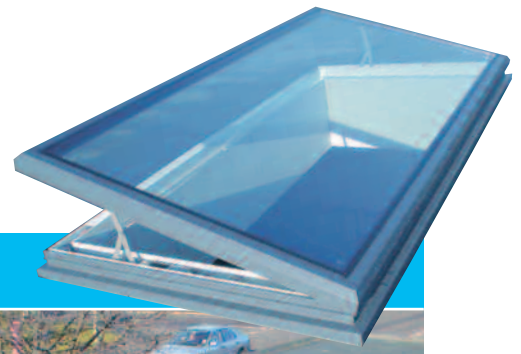
Technical Data

All sizes quoted are overall external weathered upstand sizes

RECOMMENDED MINIMUM KERB HEIGHT	150 mm (to avoid invalidating roof guarantees).
MINIMUM KERB THICKNESS	100 mm.
RECOMMENDED PITCH ON KERB	5 degrees.
MINIMUM UNIT SIZE (Outside kerb sizes)	750 mm x 450 mm—hinged side.
STANDARD GLASS	32 mm DGU; 6 mm toughened outer, 20 mm black silicone sealed spacer, 6mm Low E coated toughened inner pane.
MAXIMUM UNIT KERB SIZE (Outside kerb sizes)	2 m ² , maximum 2 m in any one direction.
OPENING METHOD	Opening by inner mounted brass screw jack.
EXTRA OPTION	Access unit, glass or insulated panel for access hatch only.

HINGED THERMALIGHT

Electric (*Electric Ventilation and Access*)



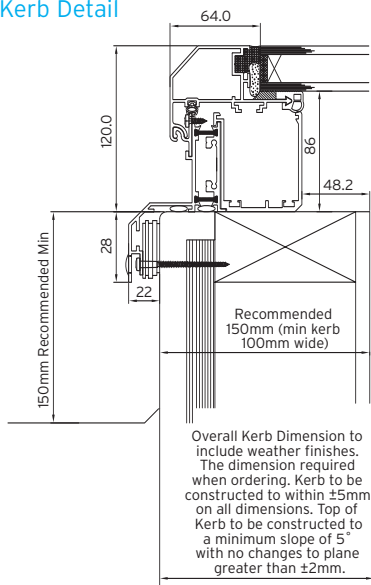
The Thermalight Hinged Glass Rooflights

Designed for flat roofs, the Hinged Thermalight provides a flush glazing solution with the added benefit of providing ventilation to the space below. The opening mechanism is concealed within the glazing framework ensuring maximum light transfer into the building. The unit has electric opening up to 30° and manual opening up to 90° allowing maintenance access. The framework is dual coloured as standard RAL 9010 Matt White/RAL 7015 Matt Grey, to match both internal and external finishes.

In total there are three variants of hinged Thermalight; Manual Access, Manual Ventilation and Electric Ventilation/Access.



Electric Kerb Detail



Key Features

- SAFE LOW VOLTAGE OPERATION
- BESPOKE SIZES ARE AVAILABLE
- CONCEALED OPERATING SYSTEM
- THERMALLY BROKEN CONSTRUCTION
- RIGID TWO POINT OPENING
- INSTALLATION KITS, TRANSFORMER AND SWITCH
- LARGE OPENING CAPACITY (3 m²) (Limits apply to access versions)
- MAINS FREE BACK-UP AVAILABLE (Optional extra)
- MINIMUM FRAMEWORK... MAXIMUM DAYLIGHT
- DUAL COLOUR CAPABILITIES AS STANDARD

OPTIONS

- 90° OPENING (access variant)
- 30° OPENING (vent only)
- REMOTE CONTROL
- RAIN SENSOR
- HUMIDITY SENSOR

Technical Data

All sizes quoted are overall external weathered upstand sizes

RECOMMENDED MINIMUM KERB HEIGHT	150 mm (to avoid invalidating roof guarantees).
MINIMUM KERB THICKNESS	100 mm.
RECOMMENDED PITCH ON KERB	5 degrees.
MINIMUM UNIT SIZE (Outside kerb sizes)	Vent only: 750 mm x 450 mm–hinged side. Access: 900 mm x 900 mm.
STANDARD GLASS	32 mm DGU; 6 mm toughened outer, 20 mm black silicone sealed spacer, 6mm Low E coated toughened inner pane.
MAXIMUM UNIT KERB SIZE (OUTSIDE KERB SIZES)	Access: 2000 mm (hinged side) x 1000 mm maximum.
OPENING METHOD	Twin drive electrical opening to vent position, for access units' gas strut assisted to approximately 85°.
EXTRA OPTION	Access unit, manual vent, glass or insulated panel for access hatch only, rain sensor, remote control, thermostatic control, installation kit including transformer.
ELECTRICAL REQUIREMENT	24 volt dc power supply required, transformer provided at extra cost.

PYRAMID THERMALIGHT

Fixed

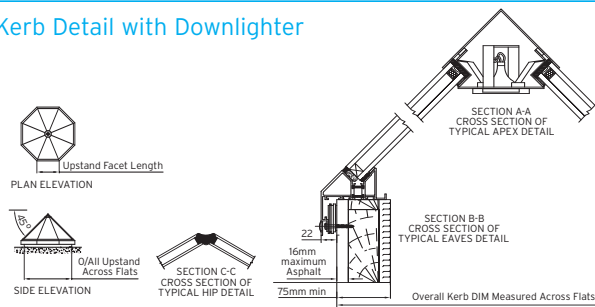
The Thermalight Fixed Rooflights

There are three shape variants of the fixed Thermalight Pyramids available; square, elongated or octagonal. The units are frameless with the glazing sections structurally bonded to each other at 45° creating a flush finish. This promotes self cleaning characteristics through good water run.

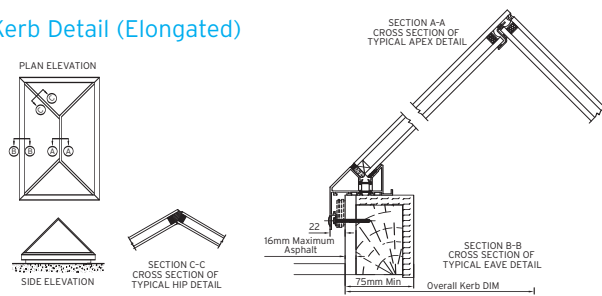
The square option comes as standard with an internal down-light built into the apex of the pyramid. As with the entire Thermalight range, the framework is kept to a minimum, allowing exceptional light transmission to the environment below.



Kerb Detail with Downlighter



Kerb Detail (Elongated)



Key Features

- MAXIMUM DAYLIGHT – NO INTERNAL FRAMEWORK
- FRAMELESS SELF-CLEAN DESIGN
- HIGH THERMAL PERFORMANCE
- GUARANTEED LONG LIFE CLARITY
- HEAVY DUTY CONSTRUCTION
- SQUARE INTERNAL DOWNLIGHTER AS STANDARD
- HINGED AND FIXED ROOFLIGHT AVAILABLE
- BESPOKE DESIGN
- THERMALLY BROKEN FRAMEWORK

OPTIONS

- FIXED ROOFLIGHT
- HINGED ROOFLIGHT
- MANUAL OR ELECTRIC
- 45° ANGLE
- STEPPED GLASS WITH SILICONE JOINS (No aluminium framework)
- DOWNLIGHTER AS STANDARD
- STANDARD (Square Units)

Technical Data

All sizes quoted are overall external weathered upstand sizes

RECOMMENDED MINIMUM KERB HEIGHT	150 mm (to avoid invalidating roof guarantees).
MINIMUM KERB THICKNESS	75 mm (100 mm for Concealed hinge variants).
MINIMUM PITCH ON KERB	0 degrees.
STANDARD GLASS	28 mm DGU; 6 mm toughened outer, 16 mm black silicone sealed spacer, 6mm Low E coated toughened inner pane.
MINIMUM SQUARE OUTER KERB SIZE	600 mm .
MAXIMUM SIZED SQUARE UNIT	1500 mm x 1500 mm.
OVERSIZED UNIT	Unit becomes elongated.
MAXIMUM ELONGATED DIMENSIONS	1500 mm x 2500 mm, (2.4m ² for manual hinged).
EXTRA OPTIONS	All square Pyramid Thermalight's come with low voltage down lighters, hinged (manual/electric) units available on standard sizes (extra cost if different sizes), Pyramid Thermalight.

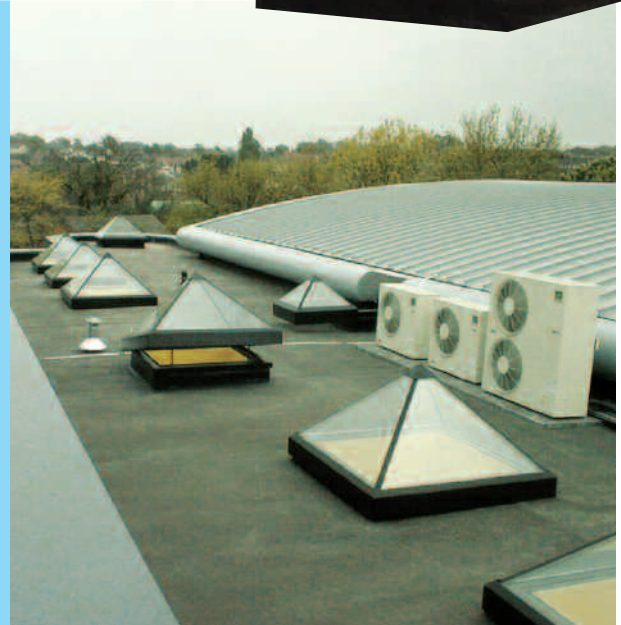
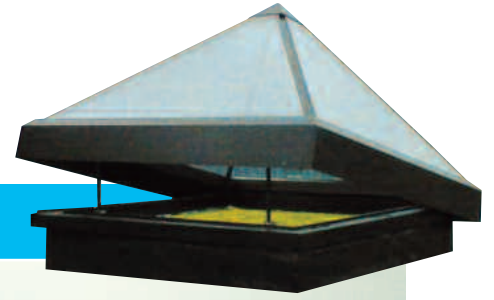
PYRAMID THERMALIGHT

Hinged (ventilation only)

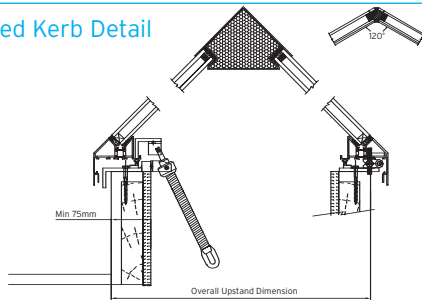
The Thermalight Hinged Glass Rooflights

From the fixed Thermalight range, the square and elongated shapes are available in hinged options. Whilst still offering architectural style and clean looks, the hinged pyramids provide a valuable means of ventilation to the space below.

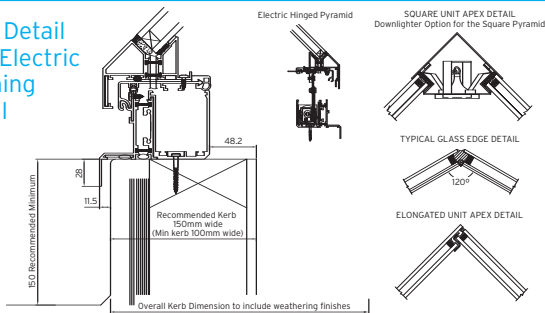
Both manual hinged and electric hinged options are available allowing the glazed structure to open up to 30°. The system can incorporate rain sensors, humidity sensors and can be operated through a remote control hand unit.



Double Glazed Kerb Detail



Kerb Detail with Electric Opening Detail



Key Features

- MAXIMUM DAYLIGHT – NO INTERNAL FRAMEWORK
- FRAMELESS SELF-CLEAN DESIGN
- HIGH THERMAL PERFORMANCE
- GUARANTEED LONG LIFE CLARITY
- HEAVY DUTY CONSTRUCTION
- SQUARE INTERNAL DOWNLIGHTER AS STANDARD
- HINGED AND FIXED ROOFLIGHT AVAILABLE
- BESPOKE DESIGN
- THERMALLY BROKEN FRAMEWORK

OPTIONS

- RAIN SENSOR
- REMOTE CONTROL
- HUMIDITY SENSOR

Technical Data

All sizes quoted are overall external weathered upstand sizes

RECOMMENDED MINIMUM KERB HEIGHT	150 mm (to avoid invalidating roof guarantees).
MINIMUM KERB THICKNESS	75 mm (100 mm for Concealed hinge variants).
MINIMUM PITCH ON KERB	0 degrees.
STANDARD GLASS	28 mm DGU; 6 mm toughened outer, 16 mm black silicone sealed spacer, 6mm Low E coated toughened inner pane.
MINIMUM SQUARE OUTER KERB SIZE	600 mm.
MAXIMUM SIZED SQUARE UNIT	1500 mm x 1500 mm.
OVERSIZED UNIT	Unit becomes elongated.
MAXIMUM ELONGATED DIMENSIONS	1500 mm x 2500 mm, (2.4m ² for manual hinged).
EXTRA OPTIONS	All square Pyramid Thermalight's come with low voltage down lighters, hinged (manual/electric) units available on standard sizes (extra cost if different sizes).

Thermalight Product Range

Fixed Thermalight–Standard Range													(Enquire for alternative sizes) SUBJECT TO STOCK AVAILABILITY	Standard specifications Colours (External only): RAL 7015 (Grey) or RAL 9010 (White). Glass: 6mm Clear toughened outer pane, 16mm Black spacer bar, 6mm clear toughened Low E inner pane.
KERB LxW	600	800	1000	1200	1400	1600	1800	2000	2200	2400	2600	2800	Stocked sizes (In Grey only) 1000 mm x 1000 mm 1500 mm x 1000 mm 2000 mm x 1000 mm	
600	•	•	•	•	•	•	•	•	•	•	•	•		
800		•	•	•	•	•	•	•	•	•	•	•		
1000			•	•	•	•	•	•	•	•	•	•		
1200				•	•	•	•	•	•	•	•	•		
1400					•	•	•	•	•	•	•	•		
1600						•	•	•	•	•	•	•		
2000							•	•	•	•				

Fixed Thermalight–Walk On Range											(Available up to 3 m ²) SUBJECT TO STOCK AVAILABILITY	Standard specifications Colours (External only): RAL 7015 (Grey) or RAL 9010 (White). Glass: 21.5 mm Clear Toughened/Laminated Outer Panel. 16 mm Black Spacer Bar (Silicone Sealed). 6 mm Clear Toughened Low E Inner Pane.
KERB LxW	600	800	1000	1200	1400	1600	1800	2000	2200	2400		
600	•	•	•	•	•	•	•	•	•	•		
800		•	•	•	•	•	•	•	•	•		
1000			•	•	•	•	•	•	•	•		
1200				•	•	•	•	•	•	•		
1400					•	•	•	•				
1600						•	•					

Pyramid Thermalight–Fixed											SUBJECT TO STOCK AVAILABILITY	Standard specifications Colours (Grey Outer & White Inner): RAL 7015 (Grey) or RAL 9010 (White). Glass: 6mm Clear toughened outer pane, 16mm Black spacer bar, 6mm clear toughened Low E inner pane.
KERB LxW	600	900	1000	1200	1500	1600	1800	2000	2300	2500	Extra over prices for Hinged Manual Hinged Electric	
600	•	•	•	•	•	•	•	•	•	•		
900		•	•	•	•	•	•	•	•	•		
1000			•	•	•	•	•	•	•	•		
1200				•	•	•	•	•	•	•		
1500					•	•	•	•	•	•		

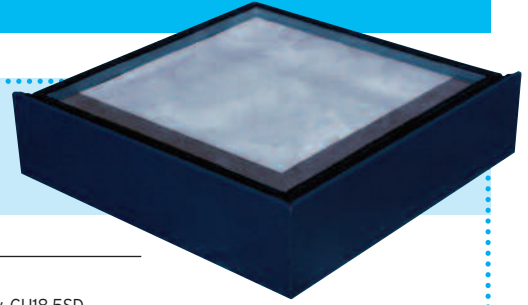
Hinged Thermalight–Manual (Access hatch)								SUBJECT TO STOCK AVAILABILITY	Standard specifications Colours (Grey Outer & White Inner): RAL 7015 (Grey) or RAL 9010 (White). Glass: 6 mm Clear Toughened Outer Panel. 20 mm Black Spacer Bar (Silicone Sealed). 6 mm Clear Toughened Low E Inner Pane.
KERB L	800	1000	1200	1400	1600	1800	2000	Sizes (Access) available in 4 sizes (Hinged on First Dimension) 900 mm x 900 mm 1200 mm x 900 mm 1200 mm x 1200 mm 1500 mm x 1200 mm	
600	•	•	•	•	•	•	•		
800	•	•	•	•	•	•	•		
1000	•	•	•	•	•	•	•		
1200	•	•	•	•	•				
1400	•	•	•	•					
1600	•	•	•						
1800	•	•							
2000	•	•							

Hinged Thermalight–Electric (Vent only)								(Available up to 2 m ²) SUBJECT TO STOCK AVAILABILITY	Standard specifications Colours (Grey Outer & White Inner): RAL 7015 (Grey) or RAL 9010 (White). Glass: 6 mm Clear Toughened Outer Panel. 20 mm Black Spacer Bar (Silicone Sealed). 6 mm Clear Toughened Low E Inner Pane.
KERB L	800	1000	1200	1400	1600	1800	2000	Thermalight Options (Vent only) Remote control operation Rain sensor	
600	•	•	•	•	•	•	•		
800	•	•	•	•	•	•	•		
1000	•	•	•	•	•	•	•		
1200	•	•	•	•	•	•	•		
1400	•	•	•	•	•	•	•		
1600	•	•	•	•	•	•			
1800	•	•	•	•	•				
2000	•	•	•	•					

Hinged Thermalight–Electric (Vent and Access)								(Available up to 2 m ²) SUBJECT TO STOCK AVAILABILITY	Standard specifications Colours (Grey Outer & White Inner): RAL 7015 (Grey) or RAL 9010 (White). Glass: 6 mm Clear Toughened Outer Panel. 20 mm Black Spacer Bar (Silicone Sealed). 6 mm Clear Toughened Low E Inner Pane.
KERB L	900	1000	1200	1400	1600	1800	2000	Thermalight Options (Vent & Access) Remote control operation: NA Rain sensor: NA	
900	•	•	•	•	•	•	•		
1000	•	•	•	•	•	•	•		
1200	•	•	•	•	•				
1400	•	•	•						

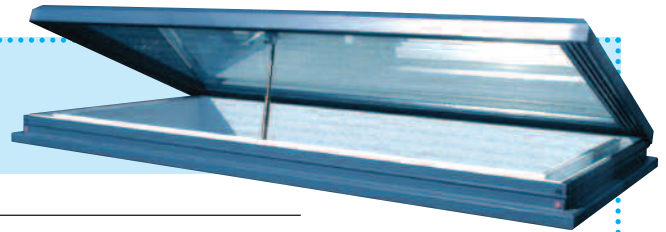
Thermalight Product Specification

L460 ROOFLIGHTS: Thermalight Fixed (Standard)



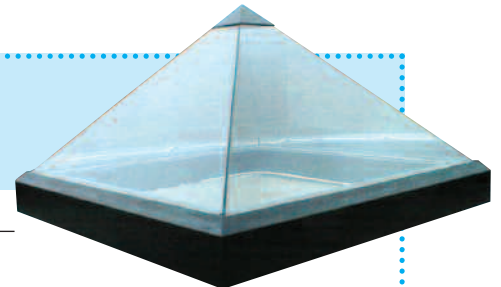
DRAWING REFERENCE(S)	S0001, [401/ASS/001].
MANUFACTURER AND REFERENCE	National Domelight Company, Pyramid House, 52 Guildford Road, Lightwater, Surrey, GU18 5SD Tel: 01276 451555 Fax: 01276 453666 Email: info@nationaldomes.com
TYPE	Thermalight Fixed (Standard/Walk-on).
GLAZING DETAILS	28 mm DGU comprising 6 mm clear toughened outer pane, 16 mm airspace and 6 mm clear toughened Low E inner pane. Units to have silicone edged seal.
FRAME	Extruded aluminium cill profile, grade 6063 T6.
FINISH	Polyester Powder Coated.
COLOUR	White RAL9010 matt inside, RAL7015 matt as standard.
KERB	75 mm wide up-stand to all sides as manufacturers recommended. Minimum 3 degrees fall.
OTHER REQUIREMENTS	External glazing surfaces to be flush with no flashings or water ponding obstructions/dirt traps on the glass surface.

L460 ROOFLIGHTS: Thermalight Hinged (Manual/Electric/Part Manual-Electric/Access)



DRAWING REFERENCE(S)	S0001, S0002, [401/ASS/001].
MANUFACTURER AND REFERENCE	National Domelight Company, Pyramid House, 52 Guildford Road, Lightwater, Surrey, GU18 5SD Tel: 01276 451555 Fax: 01276 453666 Email: info@nationaldomes.com
TYPE	Thermalight Hinged (Manual/Electric/Part Manual-Electric/Access)
GLAZING DETAILS	32 mm DGU comprising 6 mm clear toughened outer pane, 20 mm airspace and 6 mm clear toughened Low E inner pane. Units to have silicone edged seal.
FRAME	Extruded Thermally broken aluminium profile, grade 6063 T6.
FINISH	Polyester Powder Coated.
COLOUR	White RAL9010 matt inside, RAL7015 matt outside.
KERB	100 mm min (150 mm recommended) wide up-stand to all sides as manufacturers recommended. Minimum 3 degrees fall.
OTHER REQUIREMENTS	External glazing surfaces to be flush with no flashings or water ponding obstructions/dirt traps on the glass surface. Low voltage operation with totally concealed mechanism.

L460 ROOFLIGHTS: Thermalight Pyramid (Fixed and Hinged)



DRAWING REFERENCE(S)	S0001, S0007, [401/ASS/001], [401/ASS/0015].
MANUFACTURER AND REFERENCE	National Domelight Company, Pyramid House, 52 Guildford Road, Lightwater, Surrey, GU18 5SD Tel: 01276 451555 Fax: 01276 453666 Email: info@nationaldomes.com
TYPE	Thermalight Pyramid (Fixed and Hinged).
GLAZING DETAILS	28 mm DGU comprising 6 mm clear toughened outer pane, 16 mm airspace and 6 mm clear toughened Low E inner pane. Units to have silicone edged seal.
FRAME	Thermally broken aluminium cill profile, grade 6063 T6.
FINISH	Polyester Powder Coated.
COLOUR	White RAL9010 matt inside, RAL7015 matt as standard.
KERB	To be advised.
OTHER REQUIREMENTS	External glazing surfaces to be flush with no flashings or water ponding obstructions/dirt traps on the glass surface.



**NATIONAL
DOMELIGHT
COMPANY**

Pyramid House,
52 Guildford Road,
Lightwater,
Surrey GU18 5SD
Tel: 01276 451555
Fax: 01276 453666
e-mail: info@nationaldomes.com
www.nationaldomes.com